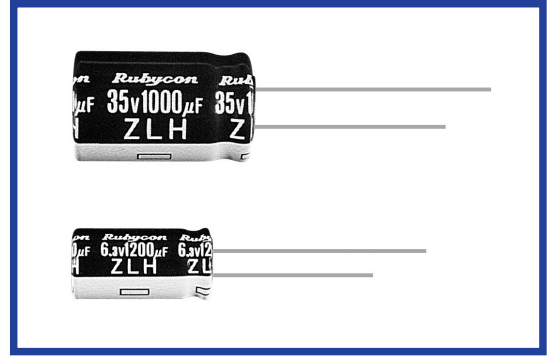


ZLH SERIES
105°C Miniaturized, Long Life, Low impedance.
◆FEATURES

- Achieved endurance improvement and miniaturization of ZL series, as well as high frequency impedance reduction.
- Load Life : 105°C 6000~10000hours.
- RoHS compliance.


◆SPECIFICATIONS

Items	Characteristics																																	
Category Temperature Range	-40~+105°C																																	
Rated Voltage Range	6.3~100V.DC																																	
Capacitance Tolerance	±20% (20°C, 120Hz)																																	
Leakage Current(MAX)	I=0.01CV or 3µA whichever is greater. (After 2 minutes) I=Leakage Current(µA) C=Rated Capacitance(µF) V=Rated Voltage(V)																																	
(tanδ) Dissipation Factor(MAX)	<table border="1"> <tr> <td>Rated Voltage (V)</td> <td>6.3</td> <td>10</td> <td>16</td> <td>25</td> <td>35</td> <td>50</td> <td>63</td> <td>80</td> <td>100</td> <td>(20°C, 120Hz)</td> </tr> <tr> <td>tanδ</td> <td>0.22</td> <td>0.19</td> <td>0.16</td> <td>0.14</td> <td>0.12</td> <td>0.10</td> <td>0.09</td> <td>0.08</td> <td>0.08</td> <td></td> </tr> </table> <p>When rated capacitance is over 1000µF, tanδ shall be added 0.02 to the listed value with increase of every 1000µF.</p>	Rated Voltage (V)	6.3	10	16	25	35	50	63	80	100	(20°C, 120Hz)	tanδ	0.22	0.19	0.16	0.14	0.12	0.10	0.09	0.08	0.08												
Rated Voltage (V)	6.3	10	16	25	35	50	63	80	100	(20°C, 120Hz)																								
tanδ	0.22	0.19	0.16	0.14	0.12	0.10	0.09	0.08	0.08																									
Endurance	<p>After life test with rated ripple current at conditions stated in the table below, the capacitors shall meet the following requirements.</p> <table border="1"> <tr> <td>Capacitance Change</td> <td>Within ±25% of the initial value. (6.3v, 10v : ±30%)</td> <td rowspan="3"> <table border="1"> <tr> <th>Case Size</th> <th>Life Time (hrs)</th> </tr> <tr> <td>φD ≤ 6.3</td> <td>6000</td> </tr> <tr> <td>φD = 8</td> <td>8000</td> </tr> <tr> <td>φD ≥ 10</td> <td>10000</td> </tr> </table> </td> </tr> <tr> <td>Dissipation Factor</td> <td>Not more than 200% of the specified value.</td> </tr> <tr> <td>Leakage Current</td> <td>Not more than the specified value.</td> </tr> </table>	Capacitance Change	Within ±25% of the initial value. (6.3v, 10v : ±30%)	<table border="1"> <tr> <th>Case Size</th> <th>Life Time (hrs)</th> </tr> <tr> <td>φD ≤ 6.3</td> <td>6000</td> </tr> <tr> <td>φD = 8</td> <td>8000</td> </tr> <tr> <td>φD ≥ 10</td> <td>10000</td> </tr> </table>	Case Size	Life Time (hrs)	φD ≤ 6.3	6000	φD = 8	8000	φD ≥ 10	10000	Dissipation Factor	Not more than 200% of the specified value.	Leakage Current	Not more than the specified value.																		
Capacitance Change	Within ±25% of the initial value. (6.3v, 10v : ±30%)	<table border="1"> <tr> <th>Case Size</th> <th>Life Time (hrs)</th> </tr> <tr> <td>φD ≤ 6.3</td> <td>6000</td> </tr> <tr> <td>φD = 8</td> <td>8000</td> </tr> <tr> <td>φD ≥ 10</td> <td>10000</td> </tr> </table>	Case Size		Life Time (hrs)	φD ≤ 6.3	6000	φD = 8	8000	φD ≥ 10	10000																							
Case Size	Life Time (hrs)																																	
φD ≤ 6.3	6000																																	
φD = 8	8000																																	
φD ≥ 10	10000																																	
Dissipation Factor	Not more than 200% of the specified value.																																	
Leakage Current	Not more than the specified value.																																	
Low Temperature Stability Impedance Ratio(MAX)	<table border="1"> <tr> <td>Rated Voltage (V)</td> <td>6.3</td> <td>10</td> <td>16</td> <td>25</td> <td>35</td> <td>50</td> <td>63</td> <td>80</td> <td>100</td> <td>(120Hz)</td> </tr> <tr> <td>Z(-25°C)/Z(20°C)</td> <td>2</td> <td>2</td> <td>2</td> <td>2</td> <td>2</td> <td>2</td> <td>2</td> <td>2</td> <td>2</td> <td></td> </tr> <tr> <td>Z(-40°C)/Z(20°C)</td> <td>3</td> <td>3</td> <td>3</td> <td>3</td> <td>3</td> <td>3</td> <td>3</td> <td>3</td> <td>3</td> <td></td> </tr> </table>	Rated Voltage (V)	6.3	10	16	25	35	50	63	80	100	(120Hz)	Z(-25°C)/Z(20°C)	2	2	2	2	2	2	2	2	2		Z(-40°C)/Z(20°C)	3	3	3	3	3	3	3	3	3	
Rated Voltage (V)	6.3	10	16	25	35	50	63	80	100	(120Hz)																								
Z(-25°C)/Z(20°C)	2	2	2	2	2	2	2	2	2																									
Z(-40°C)/Z(20°C)	3	3	3	3	3	3	3	3	3																									

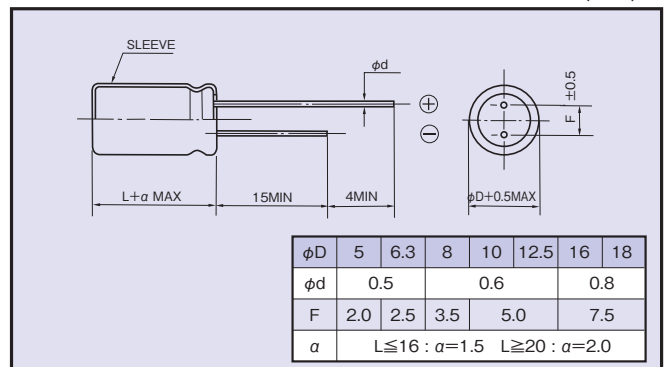
◆MULTIPLIER FOR RIPPLE CURRENT

Frequency coefficient

Frequency (Hz)		120	1k	10k	100k ≤
Coefficient	8.2~33µF	0.42	0.70	0.90	1.00
	47~270µF	0.50	0.73	0.92	1.00
	330~680µF	0.55	0.77	0.94	1.00
	820~1800µF	0.60	0.80	0.96	1.00
	2200~8200µF	0.70	0.85	0.98	1.00

◆DIMENSIONS

(mm)


◆PART NUMBER

□□□	ZLH	□□□□□	□	□□□	□□	D×L
Rated Voltage	Series	Rated Capacitance	Capacitance Tolerance	Option	Lead Forming	Case Size

◆STANDARD SIZE

Rated Voltage (V·DC)	Rated capacitance (μF)	Size φD×L(mm)	Rated ripple current (mA r.m.s./105°C, 100kHz)	(Ω MAX) Impedance		Rated Voltage (V·DC)	Rated capacitance (μF)	Size φD×L(mm)	Rated ripple current (mA r.m.s./105°C, 100kHz)	インピーダンス(Ω MAX) Impedance	
				20°C, 100kHz	-10°C, 100kHz					20°C, 100kHz	-10°C, 100kHz
6.3 (0J)	220	5×11	345	0.22	0.80	25 (1E)	68	5×11	345	0.22	0.80
	470	6.3×11	540	0.094	0.35		150	6.3×11	540	0.094	0.35
	820	8×11.5	945	0.056	0.19		330	8×11.5	945	0.056	0.19
	1200	8×16	1250	0.045	0.15		390	8×16	1250	0.045	0.15
	1200	10×12.5	1330	0.039	0.14		470	10×12.5	1330	0.039	0.14
	1500	8×20	1500	0.029	0.11		560	8×20	1500	0.029	0.11
	1800	10×16	1760	0.028	0.10		680	10×16	1760	0.028	0.10
	2200	10×20	1960	0.020	0.060		820	10×20	1960	0.020	0.060
	2700	10×23	2250	0.018	0.054		1000	10×23	2250	0.018	0.054
	3900	12.5×20	2480	0.017	0.043		1500	12.5×20	2480	0.017	0.043
	4700	12.5×25	2900	0.015	0.038		1800	12.5×25	2900	0.015	0.038
	5600	12.5×30	3450	0.013	0.033		2200	12.5×30	3450	0.013	0.033
	6800	16×20	3250	0.015	0.038		2200	16×20	3250	0.015	0.038
	6800	12.5×35	3570	0.012	0.031		2700	12.5×35	3570	0.012	0.031
8200	16×25	3630	0.013	0.035	3300	16×25	3630	0.013	0.035		
10 (1A)	150	5×11	345	0.22	0.80	35 (1V)	47	5×11	345	0.22	0.80
	330	6.3×11	540	0.094	0.35		100	6.3×11	540	0.094	0.35
	680	8×11.5	945	0.056	0.19		220	8×11.5	945	0.056	0.19
	1000	8×16	1250	0.045	0.15		270	8×16	1250	0.045	0.15
	1000	10×12.5	1330	0.039	0.14		330	10×12.5	1330	0.039	0.14
	1500	8×20	1500	0.029	0.11		390	8×20	1500	0.029	0.11
	1500	10×16	1760	0.028	0.10		470	10×16	1760	0.028	0.10
	1800	10×20	1960	0.020	0.060		560	10×20	1960	0.020	0.060
	2200	10×23	2250	0.018	0.054		680	10×23	2250	0.018	0.054
	3300	12.5×20	2480	0.017	0.043		1000	12.5×20	2480	0.017	0.043
	3900	12.5×25	2900	0.015	0.038		1200	12.5×25	2900	0.015	0.038
	4700	12.5×30	3450	0.013	0.033		1500	12.5×30	3450	0.013	0.033
	4700	16×20	3250	0.015	0.038		1500	16×20	3250	0.015	0.038
	5600	12.5×35	3570	0.012	0.031		1800	12.5×35	3570	0.012	0.031
6800	16×25	3630	0.013	0.035	2200	16×25	3630	0.013	0.035		
16 (1C)	100	5×11	345	0.22	0.80	50 (1H)	27	5×11	238	0.34	1.18
	220	6.3×11	540	0.094	0.35		56	6.3×11	385	0.14	0.50
	470	8×11.5	945	0.056	0.19		100	8×11.5	724	0.074	0.22
	680	8×16	1250	0.045	0.15		120	8×16	950	0.061	0.18
	680	10×12.5	1330	0.039	0.14		150	10×12.5	979	0.061	0.18
	1000	8×20	1500	0.029	0.11		180	8×20	1190	0.046	0.14
	1000	10×16	1760	0.028	0.10		220	10×16	1370	0.042	0.12
	1500	10×20	1960	0.020	0.060		270	10×20	1580	0.030	0.090
	1800	10×23	2250	0.018	0.054		330	10×23	1870	0.028	0.085
	2200	12.5×20	2480	0.017	0.043		470	12.5×20	2050	0.027	0.068
	2700	12.5×25	2900	0.015	0.038		560	12.5×25	2410	0.023	0.059
	3300	12.5×30	3450	0.013	0.033		680	12.5×30	2860	0.021	0.052
	3300	16×20	3250	0.015	0.038		820	12.5×35	2960	0.019	0.051
	3900	12.5×35	3570	0.012	0.031		820	16×20	2730	0.023	0.059
	4700	16×25	3630	0.013	0.035		1000	16×25	3010	0.021	0.056

◆STANDARD SIZE

Rated Voltage (V·DC)	Rated capacitance (μF)	Size φD×L(mm)	Rated ripple current (mA r.m.s./105°C, 100kHz)	(Ω MAX) Impedance	
				20°C, 100kHz	-10°C, 100kHz
63 (1J)	18	5×11	173	0.88	3.5
	47	6.3×11	278	0.35	1.4
	82	8×11.5	525	0.22	0.88
	100	8×16	688	0.16	0.64
	120	10×12.5	725	0.15	0.60
	150	8×20	861	0.12	0.48
	180	10×16	998	0.11	0.44
	270	10×20	1200	0.078	0.31
	270	12.5×16	1200	0.082	0.27
	330	10×23	1410	0.069	0.28
	390	12.5×20	1570	0.060	0.19
	470	12.5×25	1990	0.043	0.14
	560	12.5×30	2410	0.035	0.13
	560	16×20	2100	0.043	0.14
	680	12.5×35	2620	0.033	0.11
	820	12.5×40	2940	0.027	0.090
	820	16×25	2730	0.032	0.096
	820	18×20	2500	0.038	0.10
	1200	16×31.5	2990	0.024	0.068
	1200	18×25	2800	0.031	0.084
1500	16×35.5	3040	0.021	0.057	
1500	18×31.5	3300	0.025	0.068	
1800	16×40	3570	0.019	0.057	
1800	18×35.5	3570	0.020	0.054	
2200	18×40	3670	0.018	0.049	
80 (1K)	12	5×11	163	1.4	5.6
	33	6.3×11	267	0.57	2.3
	56	8×11.5	462	0.36	1.4
	68	8×16	585	0.25	1.0
	82	10×12.5	624	0.23	0.96
	100	8×20	735	0.19	0.76
	120	10×16	780	0.17	0.72
	180	10×20	1040	0.12	0.52
	180	12.5×16	975	0.13	0.43
	220	10×23	1170	0.11	0.47
	270	12.5×20	1430	0.085	0.31
	330	12.5×25	1620	0.060	0.23
	390	12.5×30	1950	0.051	0.21
	390	16×20	1750	0.058	0.21
	470	12.5×35	2140	0.043	0.17
	560	12.5×40	2340	0.036	0.15
	560	16×25	2210	0.044	0.16
	560	18×20	1950	0.054	0.18
	680	16×31.5	2400	0.033	0.12
	820	16×35.5	2600	0.029	0.10
820	18×25	2270	0.038	0.13	
1000	16×40	2860	0.027	0.090	
1000	18×31.5	2470	0.031	0.11	
1200	18×35.5	2860	0.027	0.084	
1500	18×40	3510	0.026	0.076	

Rated Voltage (V·DC)	Rated capacitance (μF)	Size φD×L(mm)	Rated ripple current (mA r.m.s./105°C, 100kHz)	(Ω MAX) Impedance	
				20°C, 100kHz	-10°C, 100kHz
100 (2A)	8.2	5×11	163	1.4	5.6
	18	6.3×11	267	0.57	2.3
	33	8×11.5	462	0.36	1.4
	47	8×16	585	0.25	1.0
	56	10×12.5	624	0.23	0.96
	68	8×20	735	0.19	0.76
	82	10×16	780	0.17	0.72
	100	10×20	1040	0.12	0.52
	100	12.5×16	975	0.13	0.43
	120	10×23	1170	0.11	0.47
	150	12.5×20	1430	0.085	0.31
	220	12.5×25	1620	0.060	0.23
	270	12.5×30	1950	0.051	0.21
	270	16×20	1750	0.058	0.21
	330	12.5×35	2140	0.043	0.17
	390	12.5×40	2340	0.036	0.15
	390	16×25	2210	0.044	0.16
	390	18×20	1950	0.054	0.18
	470	16×31.5	2400	0.033	0.12
	470	18×25	2270	0.038	0.13
560	16×35.5	2600	0.029	0.10	
560	18×31.5	2470	0.031	0.11	
680	16×40	2860	0.027	0.090	
680	18×35.5	2860	0.027	0.084	
820	18×40	3510	0.026	0.076	